

**zehnder** *wembley*

**zehnder**



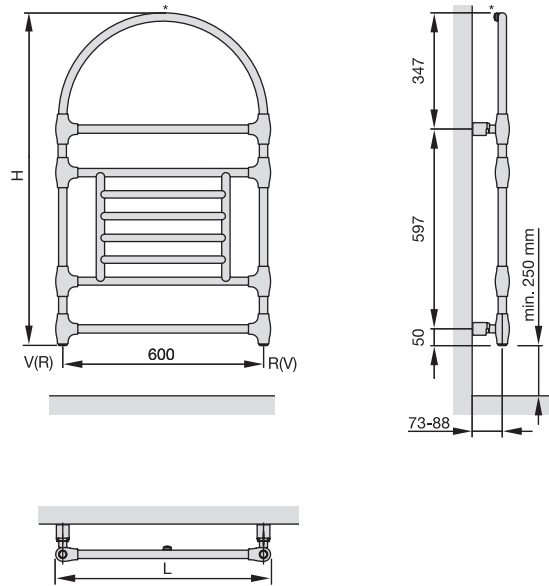
Zehnder Empire Wembley wall-mounted, towel-rail style designer radiator. Made of horizontally arranged precision-pipes joined by vertical manifolds using rounded connecting pieces. Material: brass, pipe diameter: 25 mm.

Ladder-design for easy towel drying. Heat output tested in accordance with EN 442, with CE mark. 1/2" diameter flow and return pipe connection on the outer vertical pipes at the bottom; Radiators made of brass and include brackets and air vent.

Material: Brass  
 Operating pressure: up to 6.9 bar  
 Connection: From below, G 1/2"  
 Coating: chrome plated.

Depth 62 mm

V – Flow pipe, diameter 1/2"  
 R – Return pipe, diameter 1/2"  
 \* – Ventilation 1/2" to the rear



Models for closed heating systems:

Model	Overall height (mm)	Overall length (mm)	Heat output (W)	
			$\Delta T = 50K$	$\Delta T = 60K$
<b>LVWEC-100-64</b>	995	642	237	297

**Custom designs available upon request (subject to surcharge)**

- Valve set including:
  - 1 pair of chromed valve bodies angled 1/2" - Euroconus
  - 1 pair of chromed manual cross handwheels Ø 64 mm
  - 1 pair of chromed compression fittings for copper pipe 15 mm
- Zehnder Thermostat SH, M 30 x 1.5 chrome



VAE Kit Minimalist chromed 1/2" x 15 mm  
 Article-nr. 850318

Zehnder Group  
 Export Division  
 Information Office  
 Almweg 34  
 D-77933 Lahr  
 Tel. +49 (0) 7821 586 392  
 Fax +49 (0) 7821 586 406  
 zehnderexport@zehndergroup.com  
 www.zehnder.eu

Zehnder Group  
 Export Division  
 Information Office  
 7, rue Jean Mermoz  
 F-91031 Evry Cedex  
 Tél 33 1 69 36 16 15  
 Fax 33 1 69 36 15 33  
 export@zehndergroup.com  
 www.zehnder.eu