

zehnder *nosta*

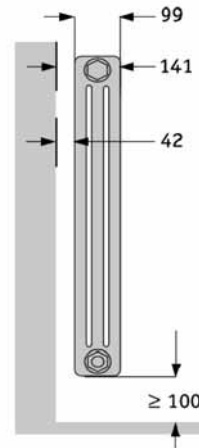
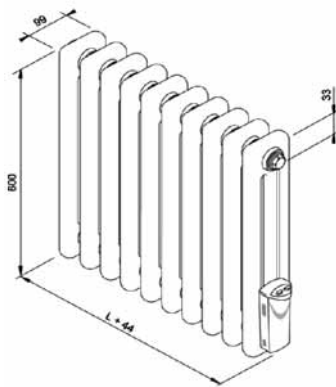
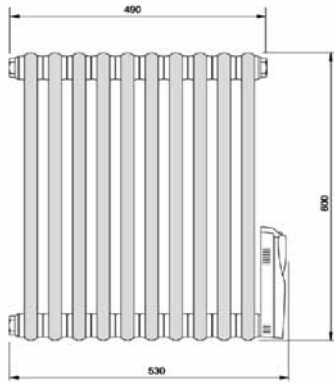
zehnder



zehnder *nosta*

The Zehnder Nosta tube-type radiator first appeared in 1930 and today it is considered to be a design classic. German quality. Graceful appearance. Clarity of lines and excellent indoor climate by the virtue of high degree of radiant heating. For better well-being, without drafts and columns of dust. Zehnder Nosta is an electric radiator and therefore independent of the heating system.

The compact model selection fits any room. Over 700 colours from RAL catalogue or clear Technoline lacquer are available. Fast and simple installation.



Material - steel, pipe Ø 25 mm

Wall thickness - 1.5 mm

Coating: enamel (colour selection shown in Zehnder catalog), clear lacquer (Technoline)

Electric only: Double function box

Model	Overall height (mm)	Overall length (mm)	Immersion Electric rating (W)
NZ 060-053	600	530	500
NZ 060-062	600	622	750
NZ 060-076	600	760	1000
NZ 060-089	600	898	1250
NZ 060-103	600	1036	1500
NZ 060-131	600	1312	2000



Zehnder Group
Export Division
Information Office
Almweg 34
D-77933 Lahr
Tel. +49 (0) 7821 586 392
Fax +49 (0) 7821 586 406
zehnderexport@zehndergroup.com
www.zehnder.eu



Zehnder Group
Export Division
Information Office
7, rue Jean Mermoz
F-91031 Evry Cedex
Tél 33 1 69 36 16 15
Fax 33 1 69 36 15 33
export@zehndergroup.com
www.zehnder.eu

zehnder